

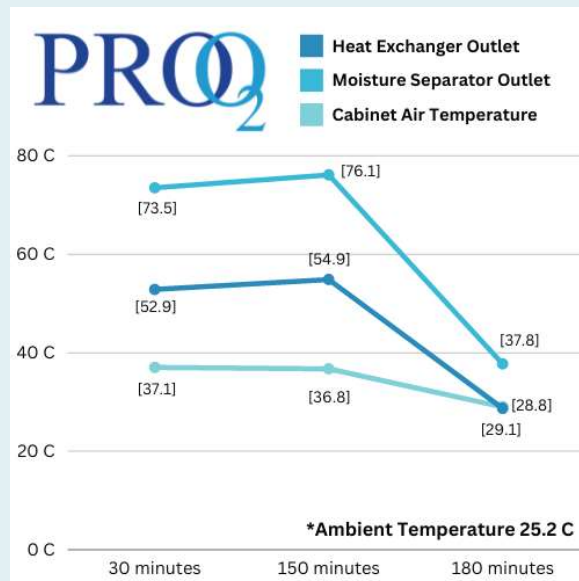
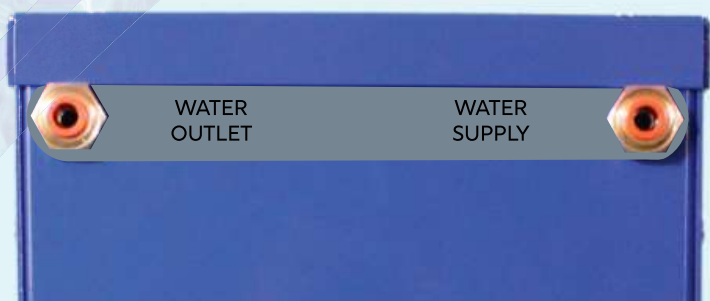
PRO₂ THE MAX SERIES



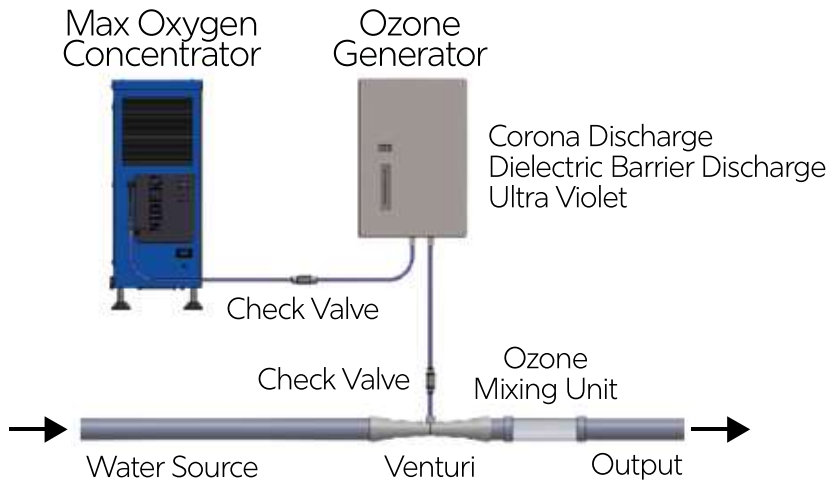
Max 5		Max 8		Max 10		
665MC	765MC	685MC	785MC	695MC	795MC	
115 Volt	230 Volt	115 Volt	230 Volt	115 Volt	230 Volt	
60 Hz	50 Hz	60 Hz	50 Hz	60 Hz	50 Hz	
410 Watts	420 Watts	500 Watts	490 Watts	700 Watts	600 Watts	Average Power Consumption
90% (+/- 3%) at 5 LPM		90% (+/- 3%) at 8 LPM		90% (+/- 3%) at 10 LPM		Oxygen Concentration
1 to 5 LPM		1 to 8 LPM		1 to 10 LPM		Liter Flow
12 PSIG		15 PSIG		20 PSIG		Outlet Pressure
		56 lbs / 26 kg				Weight
		20"W x 10"D x 24"H				Dimensions
		51 cm x 25 cm x 61 cm				

Water Cooled Models Available

The addition of water cooling technology to your ProO₂ Max drastically reduces the temperature of and moisture in the product gas, therefore increasing the life of your machine.



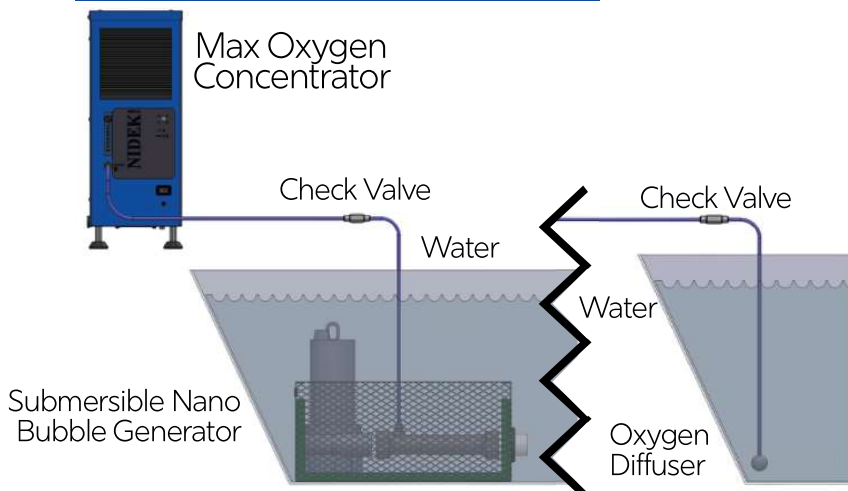
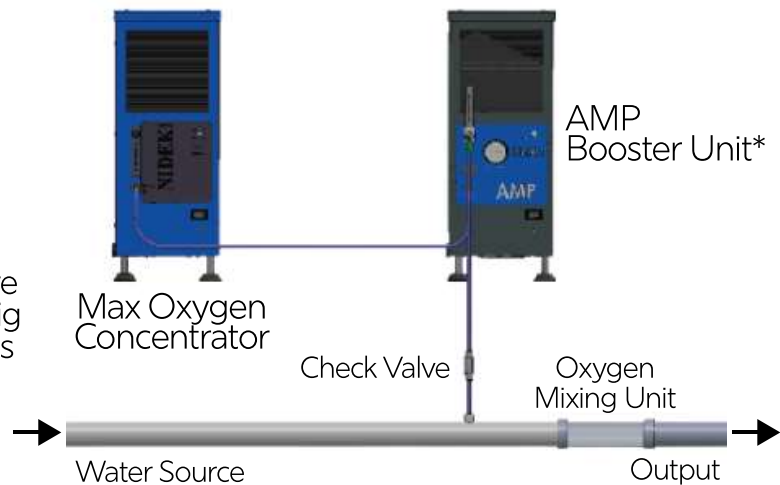
PRO₂ THE MAX SERIES



Oxygen Source Gas for Ozone Generation

Source Gas Pressure Amplification / Boosting

*Our AMP Booster Unit can raise the outlet pressure of a source gas (air, oxygen or nitrogen) up to 85 psig and outlet flows of up to 20 LPM, with a continuous operation providing low electrical draw and better life expectancy.



Oxygen Source Gas for Fine Bubbles

2010-9500B REV C